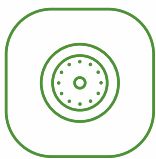
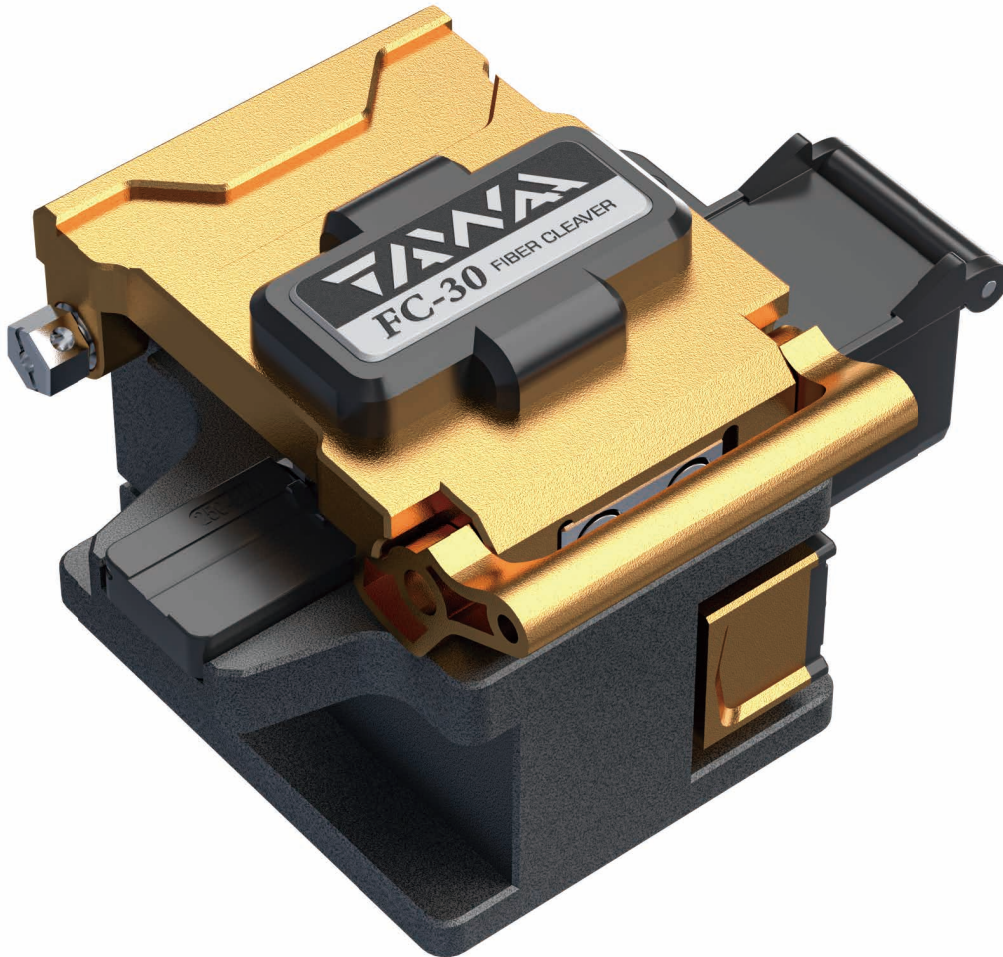


FC-30

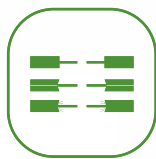
High-precision fiber cleaver



Make It Easy



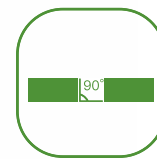
48000 times
blade life



3-in-1
universal holder



Double
fixture standard



≤0.5 degree
Cleaved angle



Product Features

- Blade life up to 48,000 times
- Double fixture design, suitable for various optical fibers of 250~3.0mm
- High-precision CNC machining and forming, excellent texture
- Typical cutting angle ≤0.5 degree
- Tungsten steel blade, wear resistance, high hardness, corrosion resistance
- Traditional bench top design, simple and easy to use

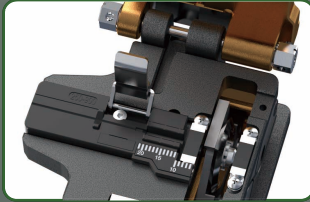


Product selling point



Pressure pad

Silicone pressure pad can effectively hold down the optical fiber



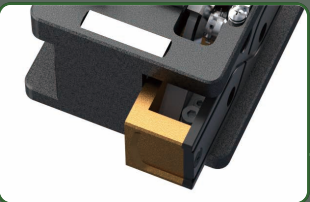
Holder

All-in-one fixture (dual fixture design)
Suitable for various optical fibers of 250~3.0mm



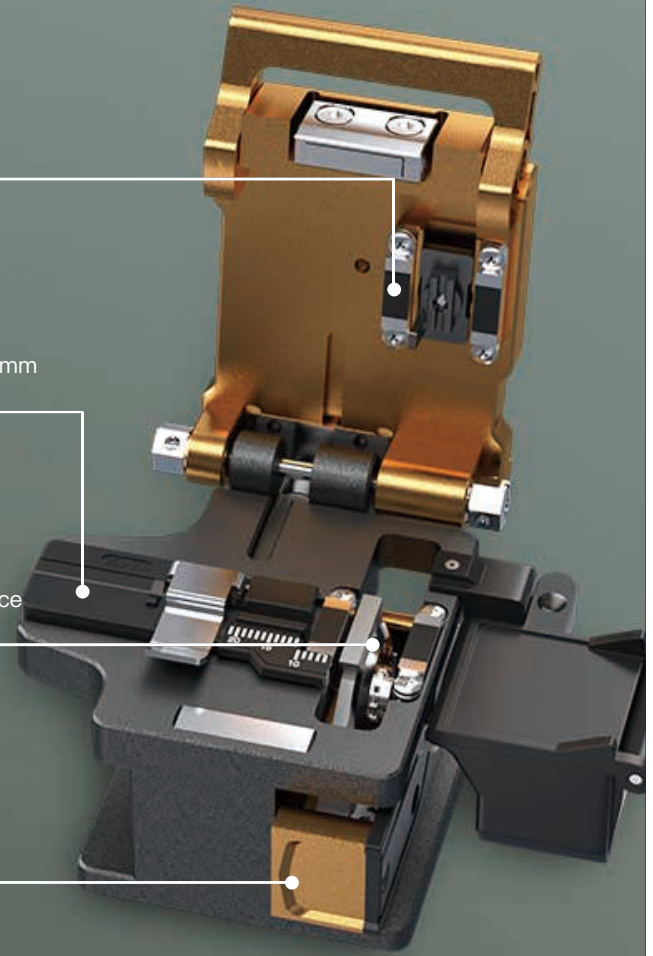
Blade

Real tungsten steel blade, wear resistance, high hardness, corrosion resistance

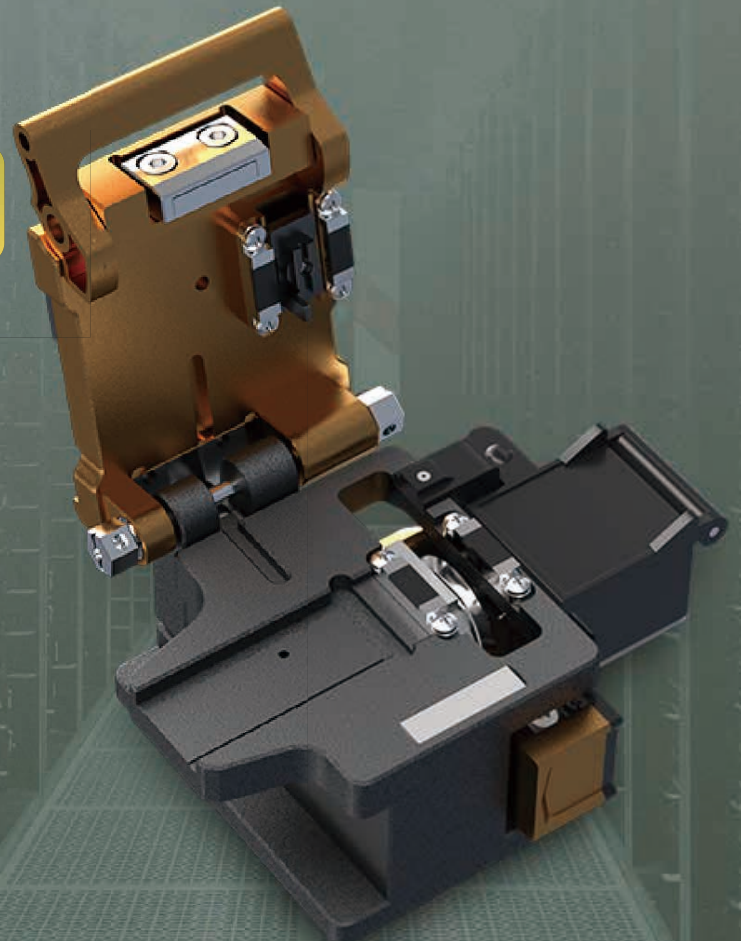
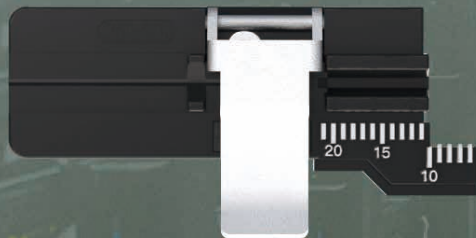


Slide

High-precision slide, open the cover will return automatically



Double fixture standard



3-in-1 holder



Product parameter

Fiber Material	Single fiber
Cladding Diameter	125 μ m
Cleaved Length	Single fiber: 8~20mm / Ribbon fiber: 10mm
Applicable Fiber Cable	Single fiber: 250 μ m, 900 μ m, 3.0mm / flat cable / Ribbon fiber: 2 to 12 fiber cable
Typical Cleaved Angle	Less than 0.5 Degrees ★①
Typical Blade Life	Total 48,000 fiber cleaves (replaceable) ★②
Off-cut Collector	Pre-fitted
Type of Offcut Bin	Manual
Auto Return	Pre-fitted
Dimension / Weight	63W *77D*63H(mm) / 335g

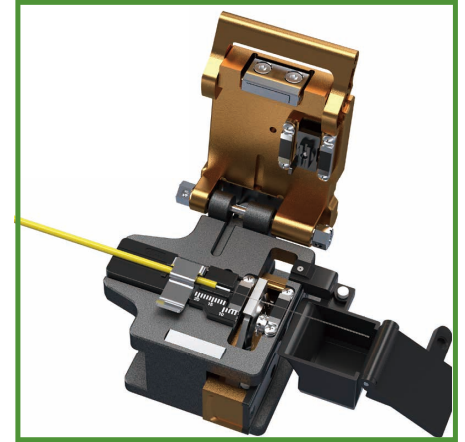
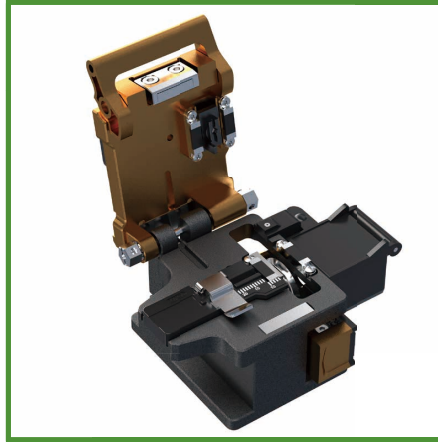
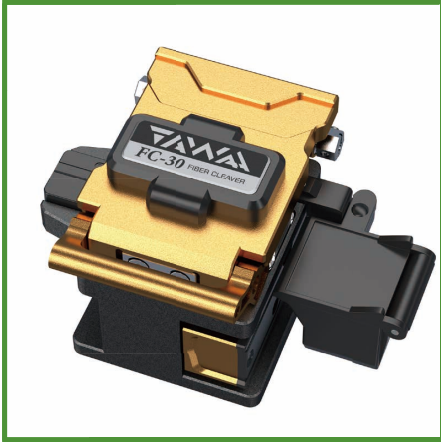
★① The fiber cleave angle changes by operating environment

★② Blade life changes by operating environment

Product configuration

Fiber Cleaver FC-30	1
Carrying case	1
Fiber Clamp Type 2	1
Quick guide	1

Products Showing



HEAD OFFICE:

TAWAA TOOLS LIMITED

CONTACT US:

Headquarters address:

China (Jiangsu) Pilot Free Trade Zone Suzhou Area Room 1703,
Shanglv Building, No.381 East of Suzhou Avenue, Industrial Park.

Factory address:

B Building Zhongzhi Science and Technology Park, No.95 Xingangwan
Road, Liuhe Economic Development Zone, Nanjing, Jiangsu, China.

Phone : 0512-87811849

Website : www.tawaa.com

Email : info@tawaa.com



Website