

## Parabolic antenna JRMC - 400 -24/26

Antenna JRMC – 400 – 24/26 is designed for microwave links at the frequency band 24 and 26 GHz. Precise performance with deep reflector dish complies with standard ETSI class 3 and FCC Cat B.

### Electrical parameters:

<b>Frequency range</b>	24.0 – 26.5 GHz
<b>Gain</b> - Low frequency	37.4 ± 1 dBi
<b>Gain</b> - High frequency	38.2 ± 1 dBi
<b>Front to back ratio</b>	≥ 64 dB
<b>Beamwidth</b> <sub>-3 dB</sub>	2° ± 0,5°
<b>Return loss</b>	≥ 18 dB
<b>Polarization</b>	Linear, vertical/horizontal
<b>Electrical Compliance</b>	US FCC <b>Cat. B</b> /DEMS <b>Class 3</b> ETSI EN 302-217-4-2 v1.5.1

### Mechanical parameters:

<b>Parabola</b>	Ø 400 mm, Aluminium alloy
<b>Radome</b>	UV steady plastic ABS
<b>Input / output</b>	Circle waveguide Ø 8 mm
<b>Installation for mast</b>	Ø 40 - 120 mm
<b>Operating wind load</b>	180 km/h (112 mph)
<b>Survival wind load</b>	240 km/h (149 mph)
<b>Weight of antenna</b>	2.2 kg (4.7 lbs.)
<b>of holder</b>	2.4 kg (5.3 lbs.)
<b>Shipping dimensions</b>	480 x 475 x 250mm / 6.1 kg (13.5 lbs.)

## Parabolic antenna JRMC - 400 -24/26

---

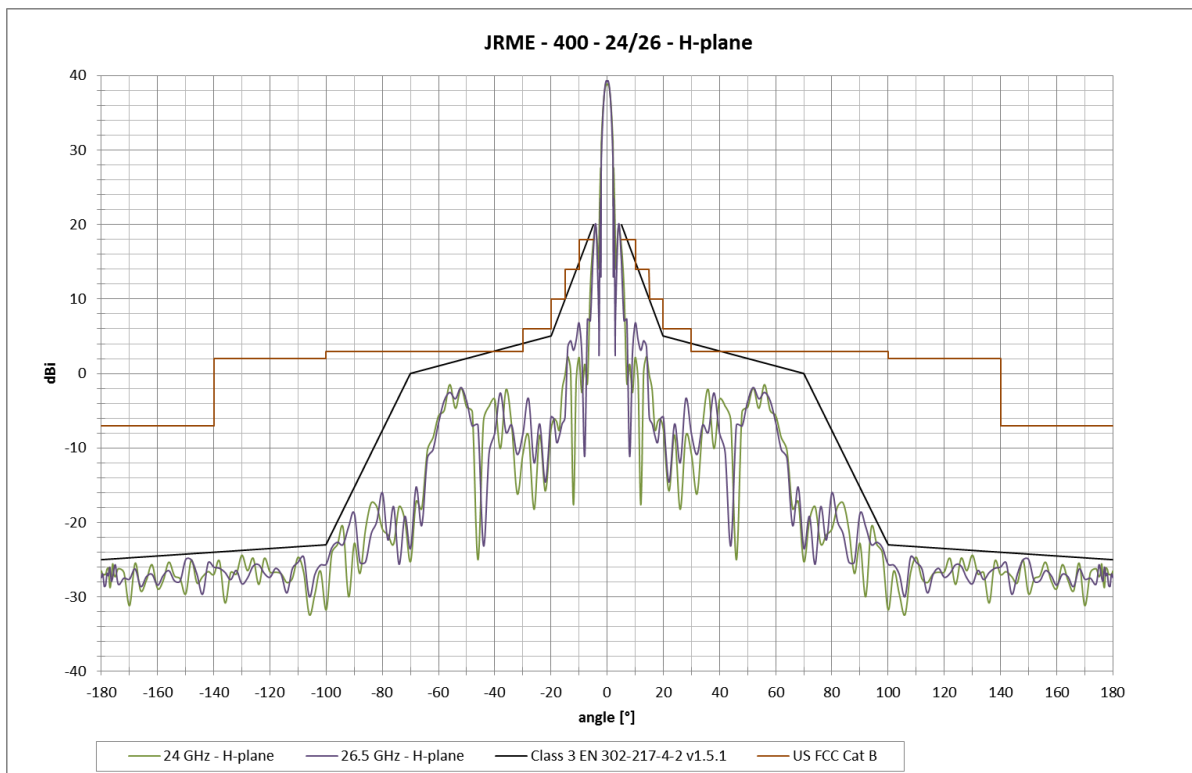
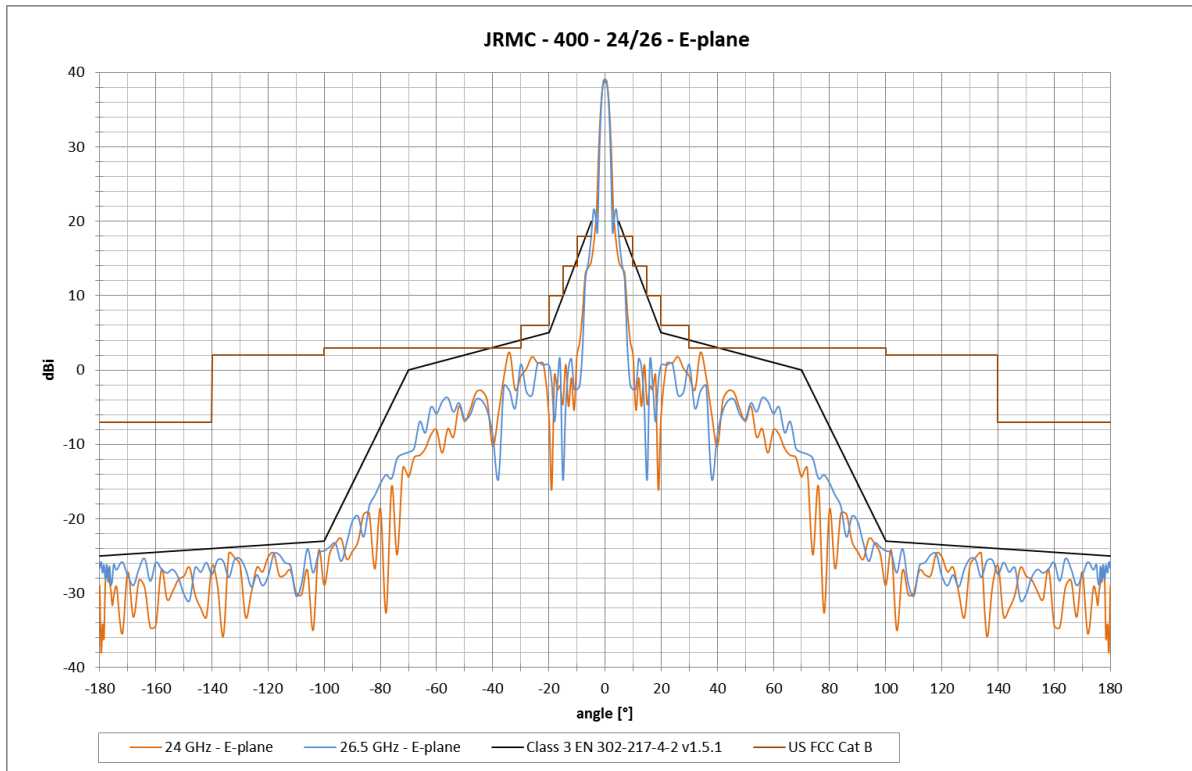
### Usage:

- deep parabola for better parameters
- **easy to assembly:** first the holder and then the antenna only by 2 screws
- **fine setting** elevation (of gradient) and azimuth  $\pm 20^\circ$
- extreme wind stability

The antenna is supplied with a holder that allows easy mounting on a mast. The holder can be installed separately on the mast. Subsequently, you can simply hang up the antenna with microwave unit into it. The holder allows precise adjustment in both directions. Ready for right and left side mounting.

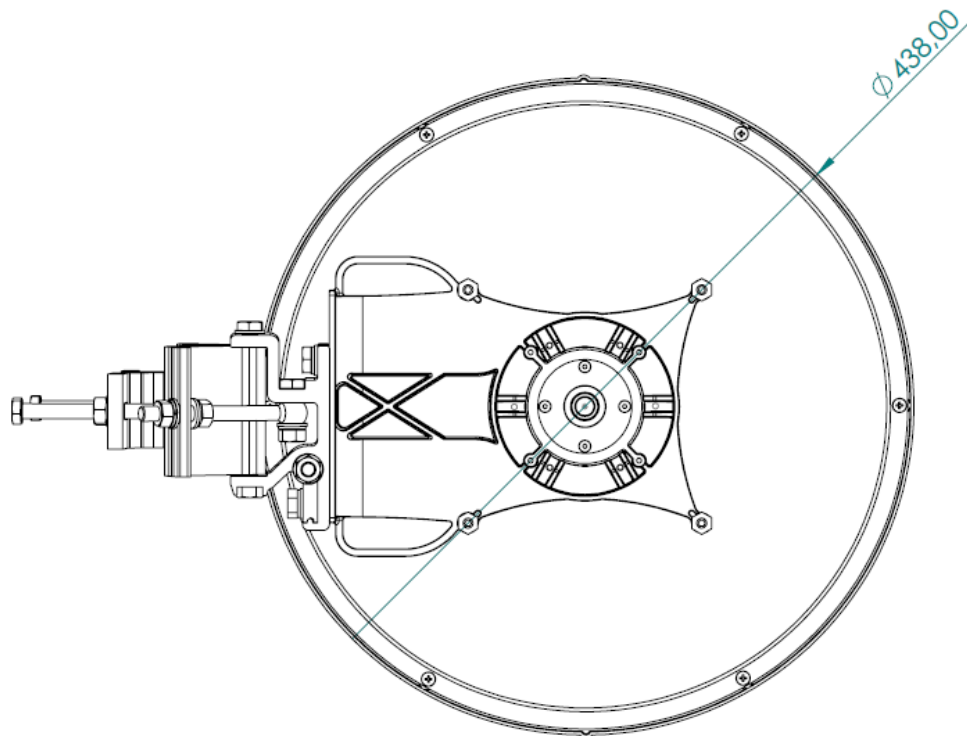
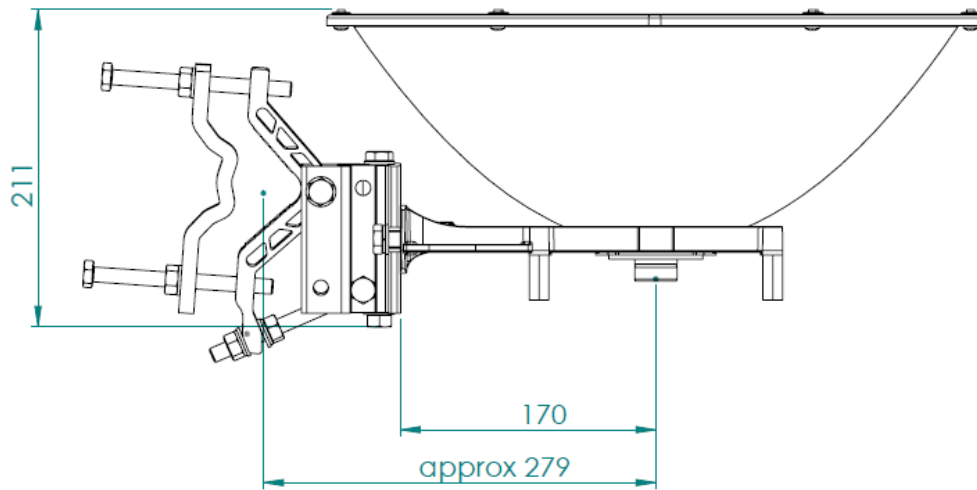
# Parabolic antenna JRM - 400 -24/26

## Measurement of radiation pattern:



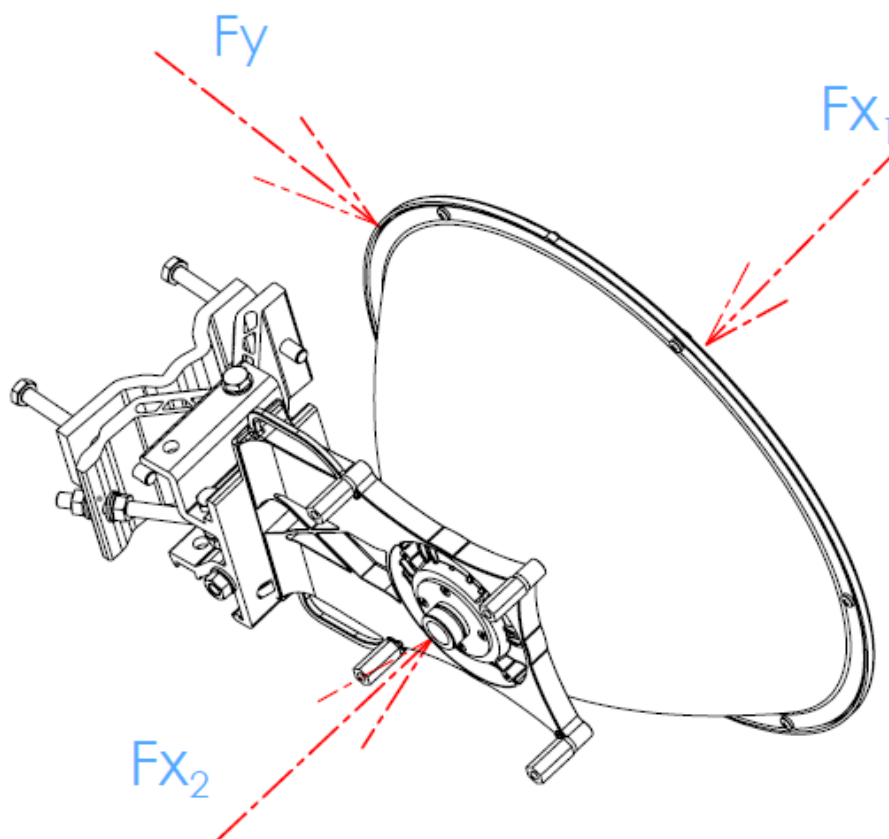
# Parabolic antenna JPMC - 400 -24/26

## Outline:



## Parabolic antenna JPMC - 400 -24/26

### Wind loading:



### Wind loading 200 km/h [125 mph ]

Direction	Force [N]	Force [lbf]
$F_{X_1}$	344	77,3
$F_{X_2}$	313	70,3
$F_y$	17	3,8