

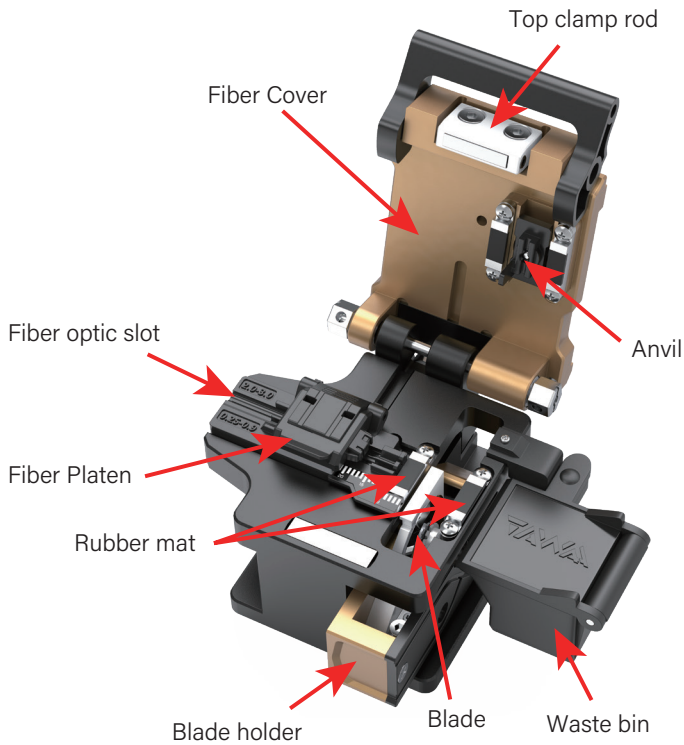


# FC-30 Fiber Cleaver Instructions

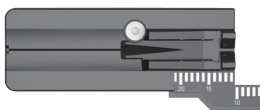
## Product Description

FC-30 is a traditional desktop high-precision cleaver for thermal fusion. It is suitable for 250µm~3.0mm bare optical fibers and sheathed optical cables. With simple and convenient two-step operation, you can maximize your productivity. Delivers over 48,000 fiber cuts with easy and convenient blade position selection. Users can achieve the most precise cuts and are ideally prepared for fiber splicing.

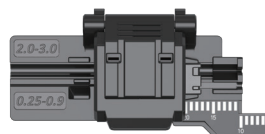
## 1. Structure Description



0.9mm fiber grooves



0.9mm fiber grooves

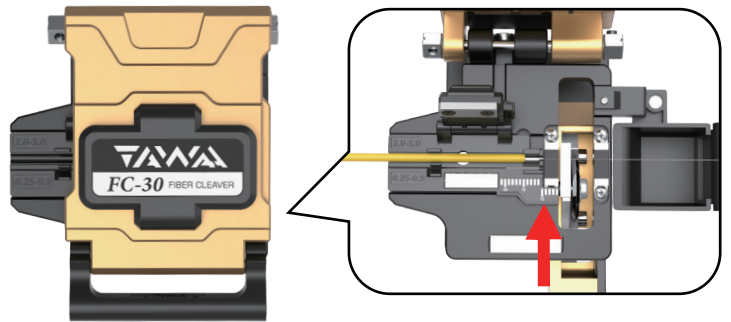


## 2. Steps

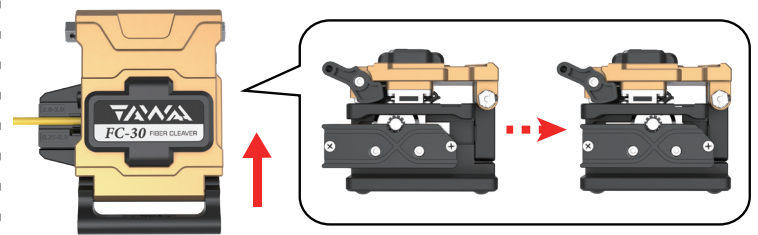
1: Open the top clamp lever and fiber clamp, the blade holder should be in the forward position.



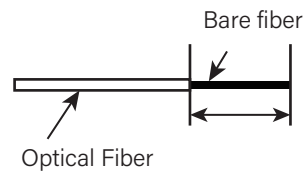
2: Place the fiber directly in the correct v-groove and align the end of the fiber coating with the 10mm mark on the ruler. (If the cut length is 10mm.)



3: Close the lid of the single fiber adapter and lower the top clamping lever. Push the knife holder to the back of the cleaver, the fiber will be cleaved.



4: Open the top clamping lever, then open the fiber press, and take out the cut fiber (FC-30 will automatically collect the waste fiber in the collection box).

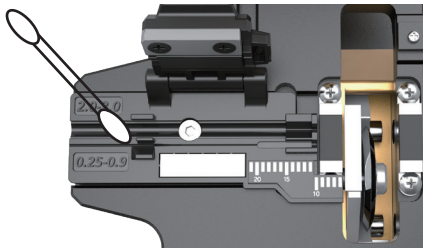


### 3. Maintenance

#### Cleaning

In order to maintain the cutting quality of the cutter, it must be cleaned after use.

Use a cotton swab moistened with alcohol to clean the edge of the blade, the rubber pad of the clamp and the anvil.



Cleaning fiber holders and fiber slots



Caution

- 1. Dust on the edge of the blade or on the jig can affect cut quality or cause poor fiber end-face quality.
- 2. Do not clean fiber cleaver with any other kind of chemicals.
- 3. After the top clamp lever is closed, Fiber debris left on the clamp or rubber pad will affect the cutting quality and cause uneven fiber end face.

### 4. Blade position adjustment

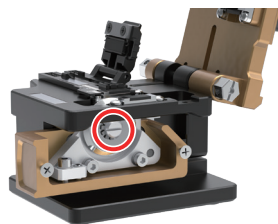
As the number of cuts increases, the optical fiber cannot be cut or the cut section is uneven.

If this condition persists, the blade position is severely worn.

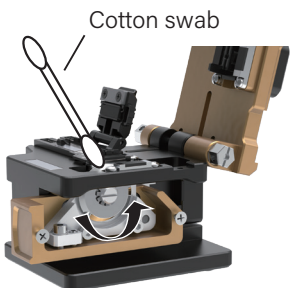
Follow the steps below to rotate the blade and use the new blade position.

1: Loosen the blade set screw.

Note that the blade set screw is a slotted screw.



2: Use a cotton swab to rotate the side or edge of the blade to the next position.

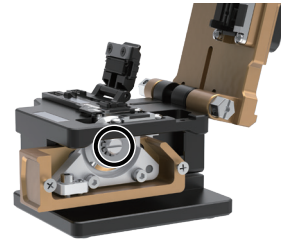


Rubber mat

The cotton swab rotates the blade in the direction indicated by the arrow.

3: Tighten the blade set screw.

[Reference] Optimum torque: Approx. 0.98nm (10kgf.cm)



4: Try cutting the fiber. Check the fiber end face with a fusion splicer. If the fiber end face is bad, adjust the blade height. (See "Blade Height Adjustment.")



Caution

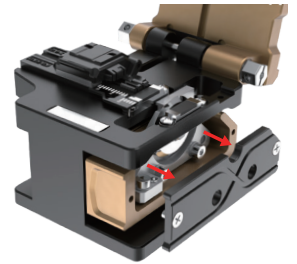
- Do not rotate the blade by hand.
- Do not rotate the blade with metal tweezers, as this may damage the blade.
- Do not over-tighten the blade retaining screw. Screws will wear out.

### 5. Blade height adjustment

Please remove the waste bin first.

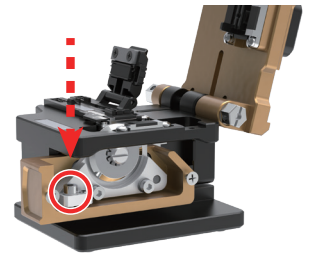
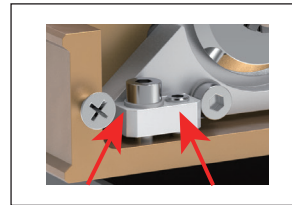
1: Remove the cleaver holder black bezel

holder black bezel



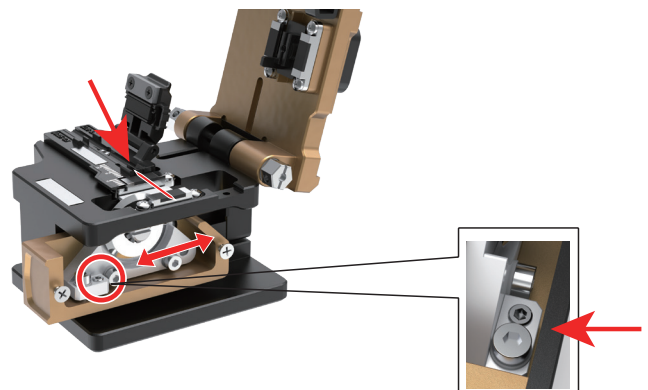
2: Loosen the blade height locking screw

locking screw



Blade height locking screw Blade height adjustment screw

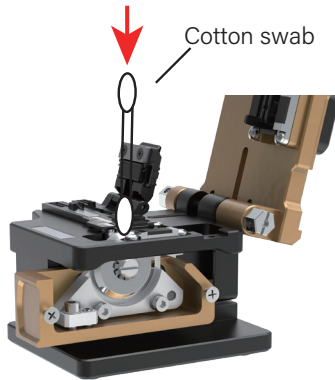
3: Place the mechanical pencil lead or light stick on the rubber pad, slide the blade holder back and forth, and turn the blade height adjustment screw, the point where the pencil lead barely touches the edge of the blade is the reference point (Oum).



### ✓ Tips

- To make the blade taller, turn the blade height adjustment screw clockwise.
- To make the blade lower, turn the blade height adjustment screw counterclockwise.

(Turn the screw while pushing down on the blade with the cotton swab.)



[Reference]  
1 tick mark = about 10um

To lower the blade with cotton swab, turn the blade height counterclockwise to adjust the screw while pushing the blade down with the cotton swab.

4: Turn the blade height adjustment screw 4 to 6 marks clockwise from the reference point.

5: Tighten the blade height locking screw.

[Reference] Optimum torque: about 0.59N m (6 kgf cm)

6: Tighten the 2 Phillips head screws.

[Reference] Optimum torque: Approx. 0.98 N m (10 kgf cm)



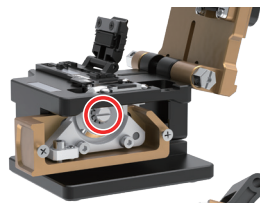
Caution

Do not make the blade too high, otherwise it will damage the rubber pad or cut the fiber end unevenly.

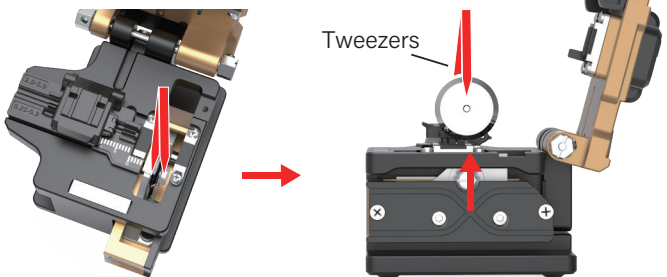
## 6. Blade replacement

Please remove the waste bin first.

1: Unscrew the blade retaining screw.



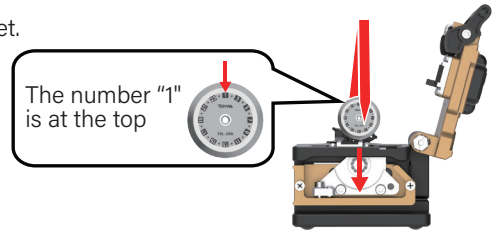
2: Remove the blade with tweezers.



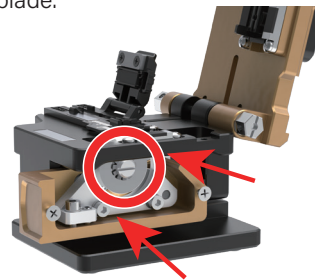
Caution

- The edge of the blade is precisely manufactured, and if the edge hits a metal object, it will reduce the cutting performance. When using metal tweezers, be careful not to damage the blade.
- Do not touch the blade with your hands, use gloves.
- Properly dispose of old blades.

3: Insert the new blade so that the number "1" is in the top position. The holes of the blade should line up with the holes of the blade socket.



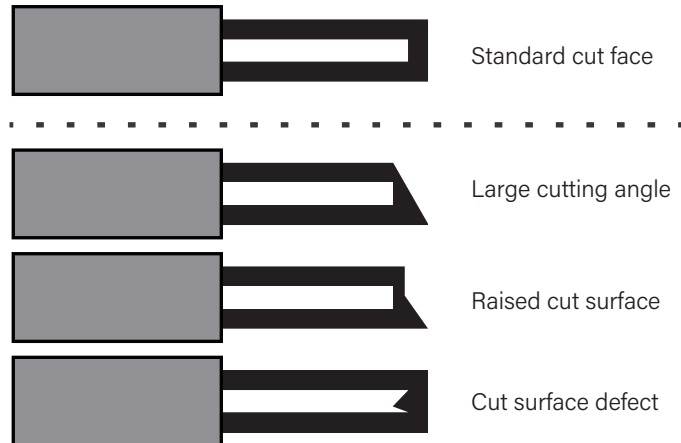
4: [Reference] Optimum torque: about 0.98N m (10kgf cm) Fully tighten the blade retaining screw while pressing down on the side of the blade.



Press down on the side of the blade

5: To adjust the blade height, refer to "Blade Height Adjustment" on page 2

## 7. Troubleshooting



If the cut end surface is not flat, it may be due to the following reasons:

(A) Fibers are placed diagonally in the cleaver.

Make sure to place the fibers straight in the cleaver.

(B) Blade height is too high.

Adjust blade height.

(C) Dust or dirt remains on the fixture.

Cleaning clips.

(D) Dust or dirt remaining on the blade

Cleaning blade.

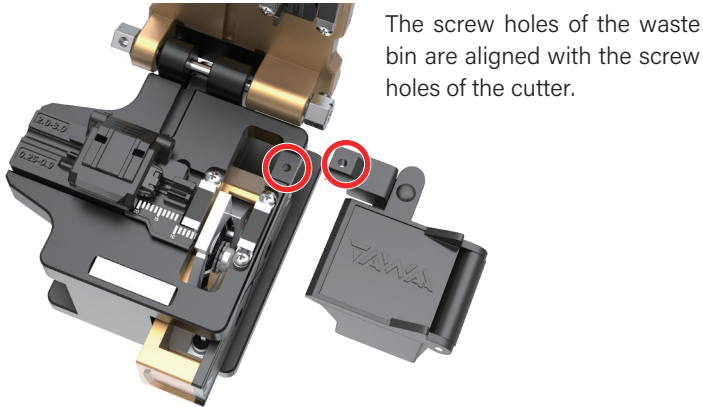
(E) Dust or dirt remains on the fibers.

Remove fiber coating and clean bare fibers again.

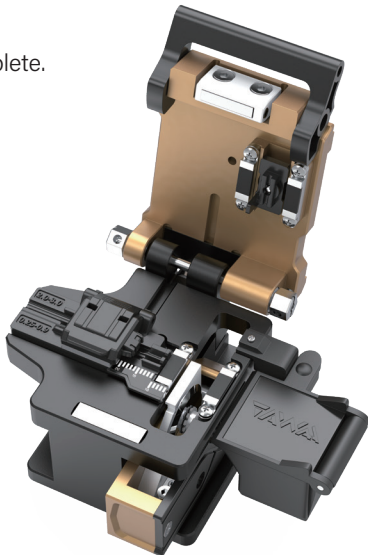
If the problem persists, please contact our maintenance service center.

## 8. Fiber waste bin installation

- 1: Open the top clamping lever of the cutter.
- 2: Align the screw holes of the waste bin with the screw holes of the cutter.

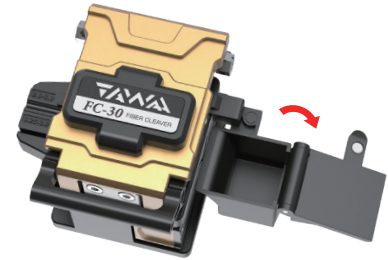


- 3: The installation is complete.



## 9. Clean the waste bin

Open the waste bin, pour out the cut waste fibers from the fiber collection box, and dispose of the cut off in an appropriate way.



## Contact us

### TAWAA TOOLS LIMITED

Tel: +86 512 65979145

Website: [www.tawaa.com](http://www.tawaa.com)

Email: [info@tawaa.com](mailto:info@tawaa.com)

#### Headquarters address:

Room 1703, Shanglv Building, No.381 East of Suzhou Avenue, Industrial Park, Suzhou, Jiangsu, China

#### Factory address:

B Building Zhongzhi Science and Technology Park, No.95 Xingangwan Road, Liuhe Economic Development Zone, Nanjing, Jiangsu, China.