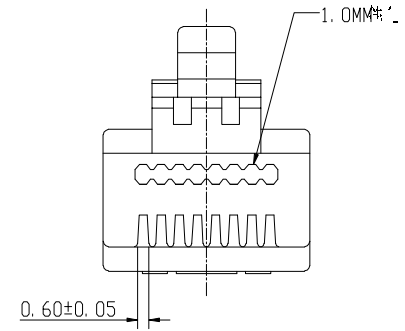
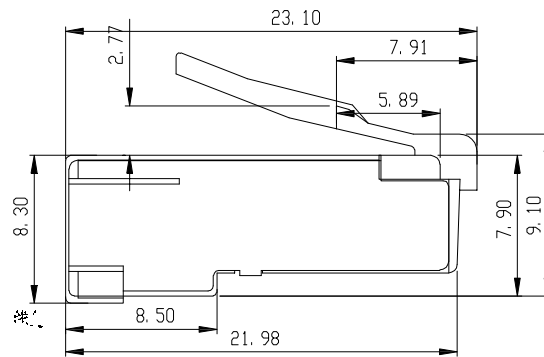
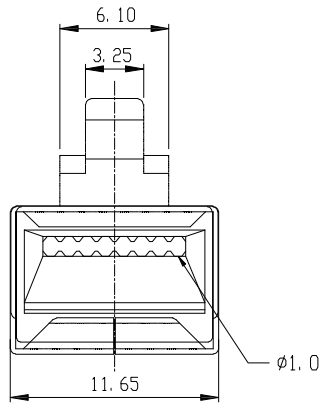
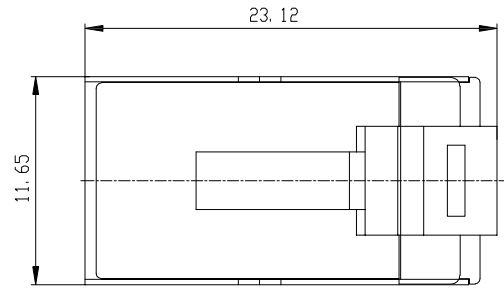




Product NO.		DW-CO-RJ45-6-FTP-EASY		
ISSUE	DESCRIPTION	DWN	DATE	APPROVEN
R1.0	First issue	Gavin	2022/11/03	JIM.KING



**FEATURES:**

1 Electrical Test:

A. 250V AC max at 2 amps.

B. Dielectric with standing 500volts AC.

C. Insulation Resistance: 500 megaohms.

D. Termination Resistance: 35megaohms.

Mechanical:

A. Cable-to-P1ug tensile strength-20LBs (89N) min.

B. Durability: 500 mating cycles.

-TOLERANCES- UNLESS OTHERWISE SPECIFIED					
	PART DESCRIPTION: RJ45 CAT6 8p8c Shielded EASY for Solid Wire				
UNLESS OTHERWISE SPECIFIED TOLERANCES FOR MILLIMETERS ARE: 0.5 - 8mm ± 0.20mm 8 - 30mm ± 0.25mm 30 - 120mm ± 0.30mm	Appr:	JIM.KING	P/N: DW-CO-RJ45-6-FTP-EASY		
	Check:		Date	Scale	Unit
	Draw:	Gavin	2022.11.03	Free	MM
			Type	Page	
			Z	1/1	