



Parabolic antenna JRC-29DD MIMO Precision MimX

Dual-polarized parabolic antenna **JRC-29 Deep Dish MIMO Precision MimX** is designed for directional links dual-polarized **C5x, B5x and C6x radio units** at the frequency band 5/6 GHz. The antenna is designed for environments with multiple reflections for long and medium distances in difficult conditions. **Its design with deep dish increases isolation among antennas on a mast and increases front to back ratio. The new concept expands the frequency band.** The antenna includes a **massive holder JDMW-900** developed for microwave links.

Electrical parameters:

Frequency range	4.9 – 6.4 GHz
Gain	29.0 ± 1 dBi
VSWR 5.1 – 5.9 GHz	≤ 1.4
Beamwidth -3 dB	5.5°
Front to Back ratio	≥ 49 dB
Polarization	Determined by radio unit

Mechanical parameters:

Parabola	Ø 680 mm, Aluminium alloy
Radome	UV steady plastic ABS
Type of connector	Twist-on waveguide for C5x, B5x, C6x
Installation for mast	Ø 40 - 120 mm
Weight of antenna	5.0 kg (11.0 lbs.)
of holder	3.2 kg (7.0 lbs.)
Shipping dimensions	800 x 800 x 450 mm / 13 kg (28.7 lbs.)

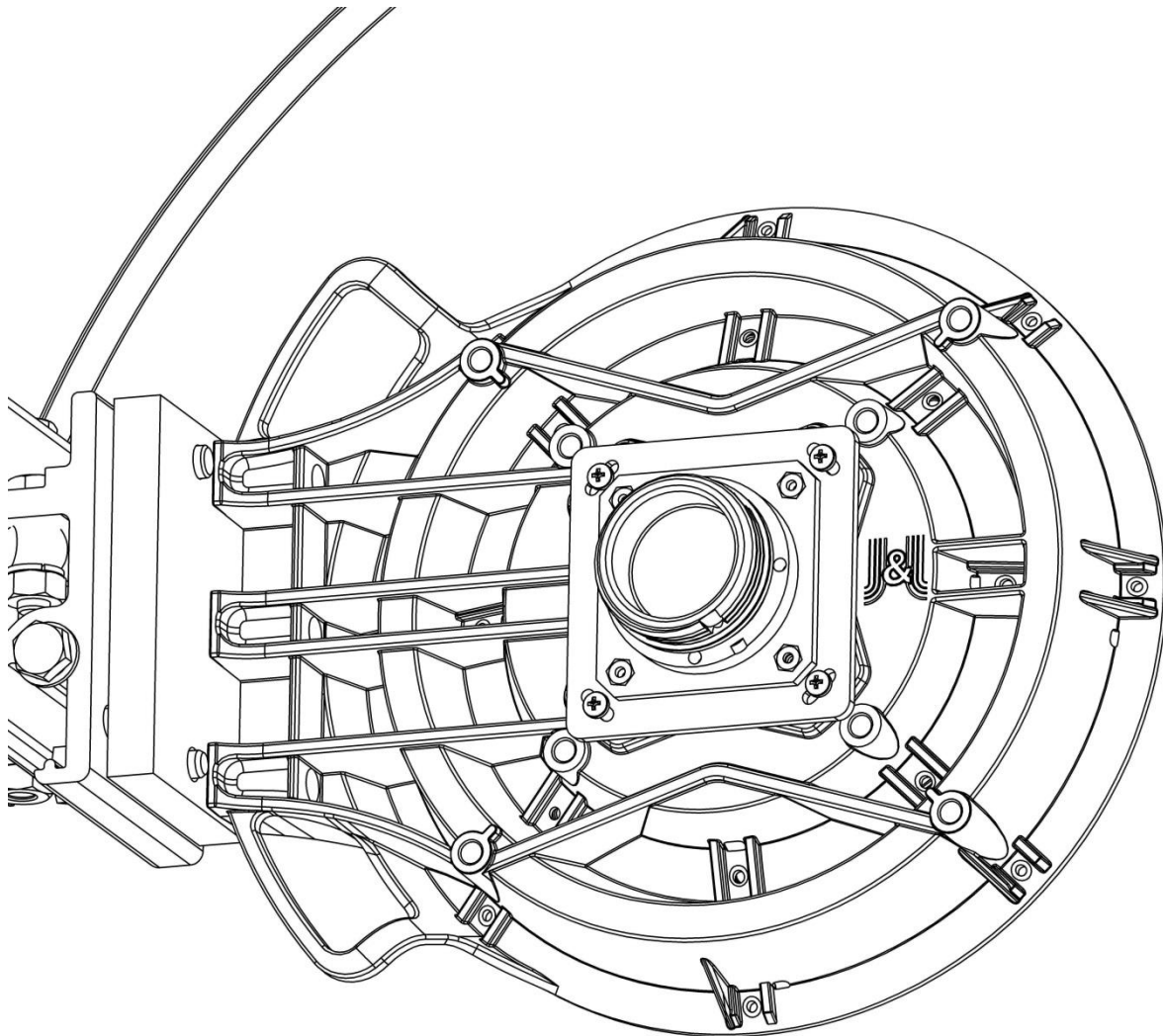
Parabolic antenna JRC-29DD MIMO Precision MimX

Usage:

The antenna is supplied with a holder that allows easy mounting on a mast. The holder can be installed separately on the mast. Subsequently, you can simply hang up the antenna with microwave unit into it. The holder allows precise adjustment in both directions. Ready for right and left side mounting.

In the areas with the expected occurrence of the strong winds mounting on the mast with minimal \varnothing 50 mm is recommended.

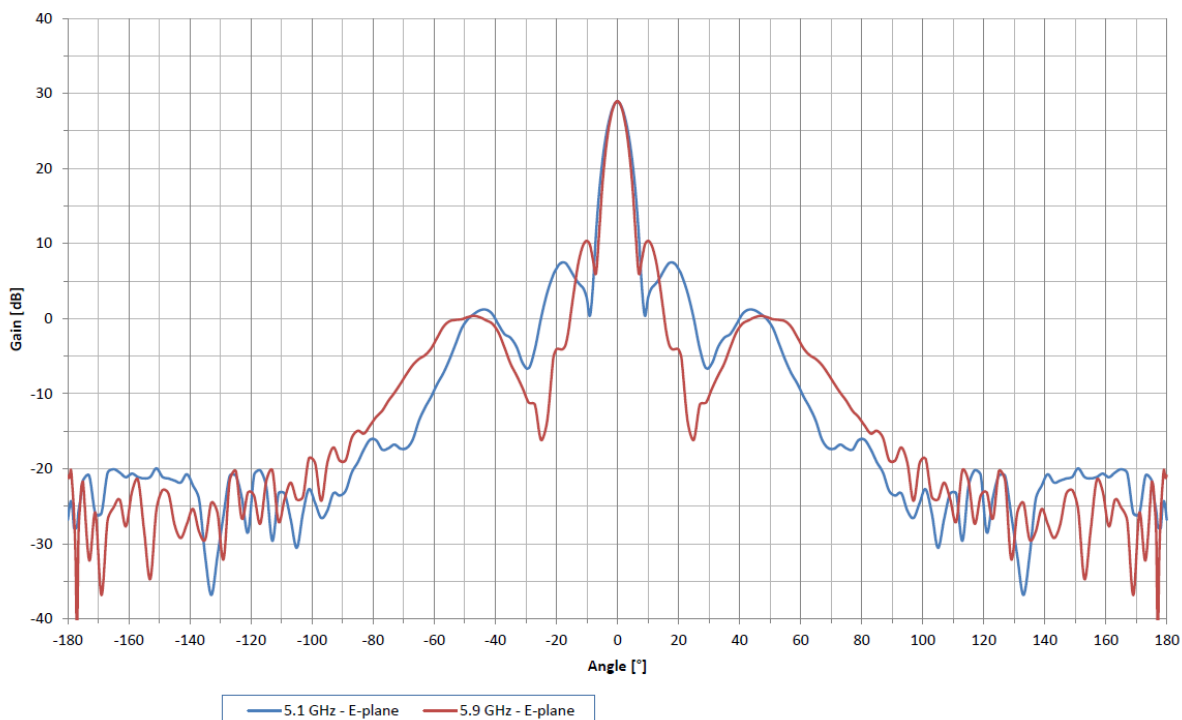
Detail of waveguide:



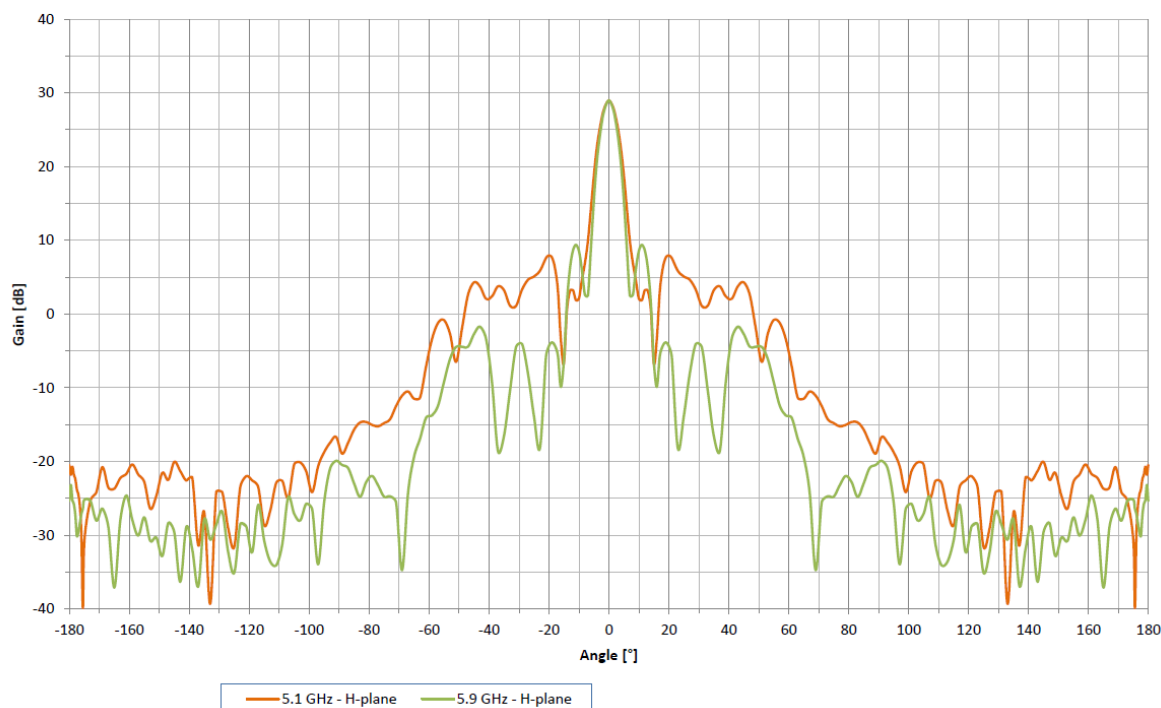
Parabolic antenna JRC-29DD MIMO Precision MimX

Measurement of radiation pattern:

JRC-29DD MIMO - E-plane

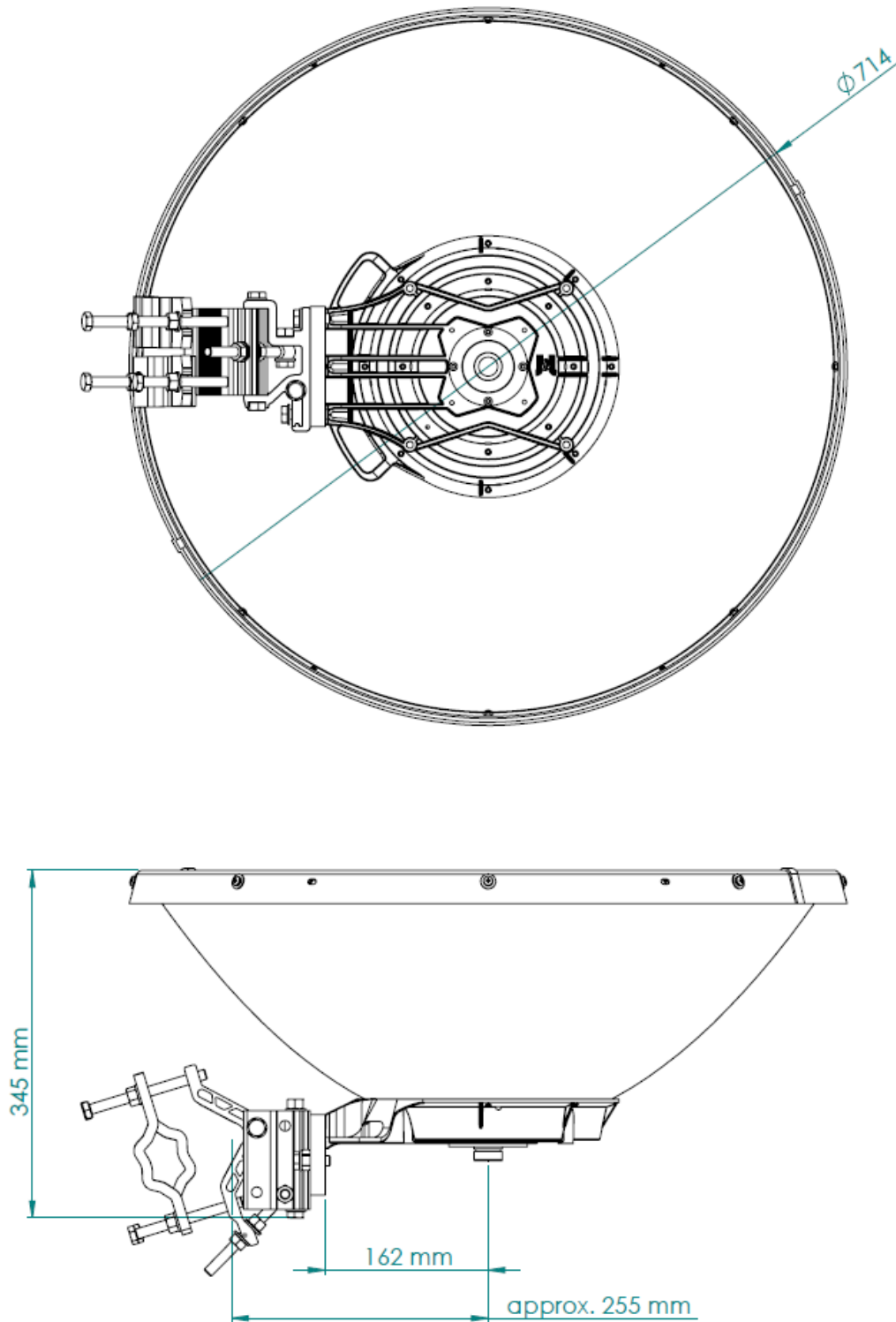


JRC-29DD MIMO - H-plane



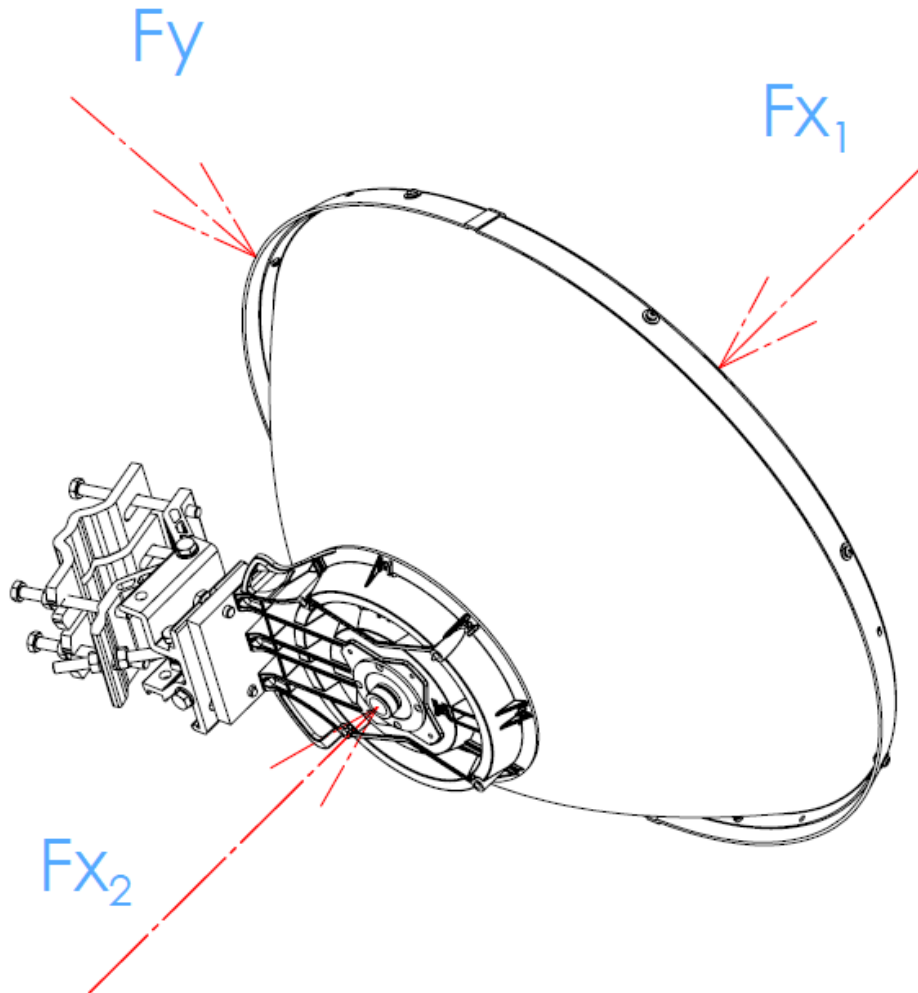
Parabolic antenna JRC-29DD MIMO Precision MimX

Outline:



Parabolic antenna JRC-29DD MIMO Precision MimX

Wind loading:



Wind Loading at 200 km/h [125 mph]

Direction	Force [N]	Force [lbf]
F_{x_1}	707	158,9
F_{x_2}	792	178
F_y	71	15,9