

Huawei eKitEngine S380 Series Multi-Service Gateway



Powerful

50% larger connection capacity



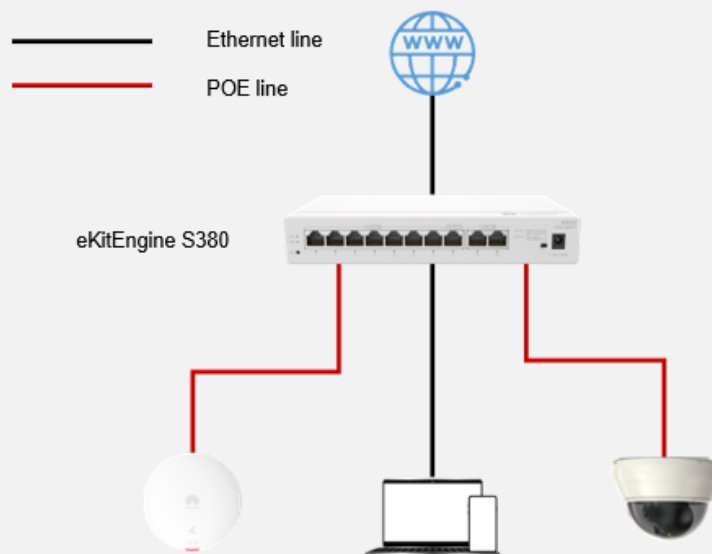
Fast

2x faster forwarding



Stable

PoE on all ports, compatible with 100+ types of non-standard terminals



Huawei eKitEngine S380 series Multi-Service Gateway include various models, such as those with 4 downlink GE electrical ports, 8 downlink GE electrical ports (PoE/non-PoE ports), or GE uplink ports. With features like easy installation and deployment, as well as flexible Ethernet networking, the products can be widely used for indoor coverage in SME markets such as SOHO enterprise office, economic hotels, factories, primary and secondary education, and building security.

Product Specifications

Item	eKitEngine S380-L4T1T	eKitEngine S380-L4P1T
Maximum user	150	150
Switching capacity	8 Gbit/s	8 Gbit/s
Packet forwarding rate	Upload: 300 Kpps, download: 420 Kpps	Upload: 300 Kpps, download: 420 Kpps
Egress bandwidth	1 Gbit/s	1 Gbit/s
Fixed WAN port	1 x 10/100/1000BASE-T port	1 x 10/100/1000BASE-T port
Fixed LAN port	4 x 10/100/1000BASE-T ports	4 x 10/100/1000BASE-T ports
MAC address entry	2K	2K
Chassis dimensions (H x W x D)	35 mm x 210 mm x 130 mm	35 mm x 210 mm x 130 mm
Chassis height	1 U	1 U
Weight in full configuration (including packaging materials)	0.7 kg	0.7 kg
Power module type	Power adapter	Power adapter
Rated input voltage	AC input: 100 V AC to 240 V AC, 50/60 Hz	AC input: 100 V AC to 240 V AC, 50/60 Hz
Input voltage range	AC input: 90 V AC to 264 V AC, 45 Hz to 65 Hz	AC input: 90 V AC to 290 V AC, 47 Hz to 63 Hz
Maximum power consumption	6.11 W	<ul style="list-style-type: none"> Without PoE: 11.65 W With PoE: 61.65 W (PoE: 50 W)
Long-term operating temperature	0°C to 40°C (0 m to 1800 m)	0°C to 40°C (0 m to 1800 m)
Storage temperature	-40°C to +70°C	-40°C to +70°C
Relative humidity	5% to 95% (non-condensing)	5% to 95% (non-condensing)
Heat dissipation mode	Natural heat dissipation	Natural heat dissipation

Item	eKitEngine S380-S8T2T	eKitEngine S380-S8P2T	eKitEngine S380-H8T3ST
Maximum user	300	250	500
Switching capacity	16 Gbit/s	16 Gbit/s	16 Gbit/s
Packet forwarding rate	Upload: 500 Kpps, download: 420 Kpps	Upload: 500 Kpps, download: 420 Kpps	Upload: 500 Kpps, download: 420 Kpps
Egress bandwidth	2 Gbit/s	2 Gbit/s	2 Gbit/s
Fixed WAN port	2 x 10/100/1000BASE-T ports	2 x 10/100/1000BASE-T ports	2 x 10/100/1000BASE-T ports, 1 x GE SFP port
Fixed LAN port	8 x 10/100/1000BASE-T ports	8 x 10/100/1000BASE-T ports	8 x 10/100/1000BASE-T ports
MAC address entry	2K	2K	2K

Item	eKitEngine S380-S8T2T	eKitEngine S380-S8P2T	eKitEngine S380-H8T3ST
Chassis dimensions (H x W x D)	43.6 mm x 442 mm x 160 mm	35 mm x 210 mm x 130 mm	43.6 mm x 442 mm x 160 mm
Chassis height	1 U	1 U	1 U
Weight in full configuration (including packaging materials)	1.6 kg	0.7 kg	1.6 kg
Power module type	Power adapter	Power adapter	Power adapter
Rated input voltage	AC input: 100 V AC to 240 V AC, 50/60 Hz	AC input: 100 V AC to 240 V AC, 50/60 Hz	AC input: 100 V AC to 240 V AC, 50/60 Hz
Input voltage range	AC input: 90 V AC to 264 V AC, 45 Hz to 65 Hz	AC input: 90 V AC to 290 V AC, 47 Hz to 63 Hz	AC input: 90 V AC to 264 V AC, 45 Hz to 65 Hz
Maximum power consumption	10.55 W	<ul style="list-style-type: none"> Without PoE: 21.8 W With PoE: 145.8 W (PoE: 124 W) 	11.5 W
Long-term operating temperature	0°C to 40°C (0 m to 1800 m)	0°C to 40°C (0 m to 1800 m)	0°C to 40°C (0 m to 1800 m)
Storage temperature	-40°C to +70°C	-40°C to +70°C	-40°C to +70°C
Relative humidity	5% to 95% (non-condensing)	5% to 95% (non-condensing)	5% to 95% (non-condensing)
Heat dissipation mode	Natural heat dissipation	Natural heat dissipation	Natural heat dissipation

Service Features

Feature	Description
Interface basics	VLAN Jumbo frame Port Up/Down detection Port auto-negotiation VLANIF interface
Ethernet basics	16 VLANs Port types: access, trunk, and hybrid Port-based VLAN assignment Automatic MAC address learning Automatic MAC address aging and static MAC address entries MAC Filtering
IPv4 unicast routing	Static routing
WAN optimization	Load balancing: terminal IP address-based and connection-based
User access	DHCP server/client, DNS client, PPPoE client, ACL, and NAT
Device management	Web system APP SSH

Device maintenance

Ping, tracert, and one-click diagnosis