

Parabolic antenna JRC-35DD MIMO Precision

Dual-polarized parabolic antenna **JRC-35 Deep Dish MIMO Precision** is designed for directional links with MIMO mode at the frequency band 5 GHz. The antenna is designed for environments with multiple reflections for very long or medium distances in difficult conditions. **Its design with deep dish increases isolation among antennas on a mast and increases front to back ratio. The new concept expands the frequency band.**

Electrical parameters:

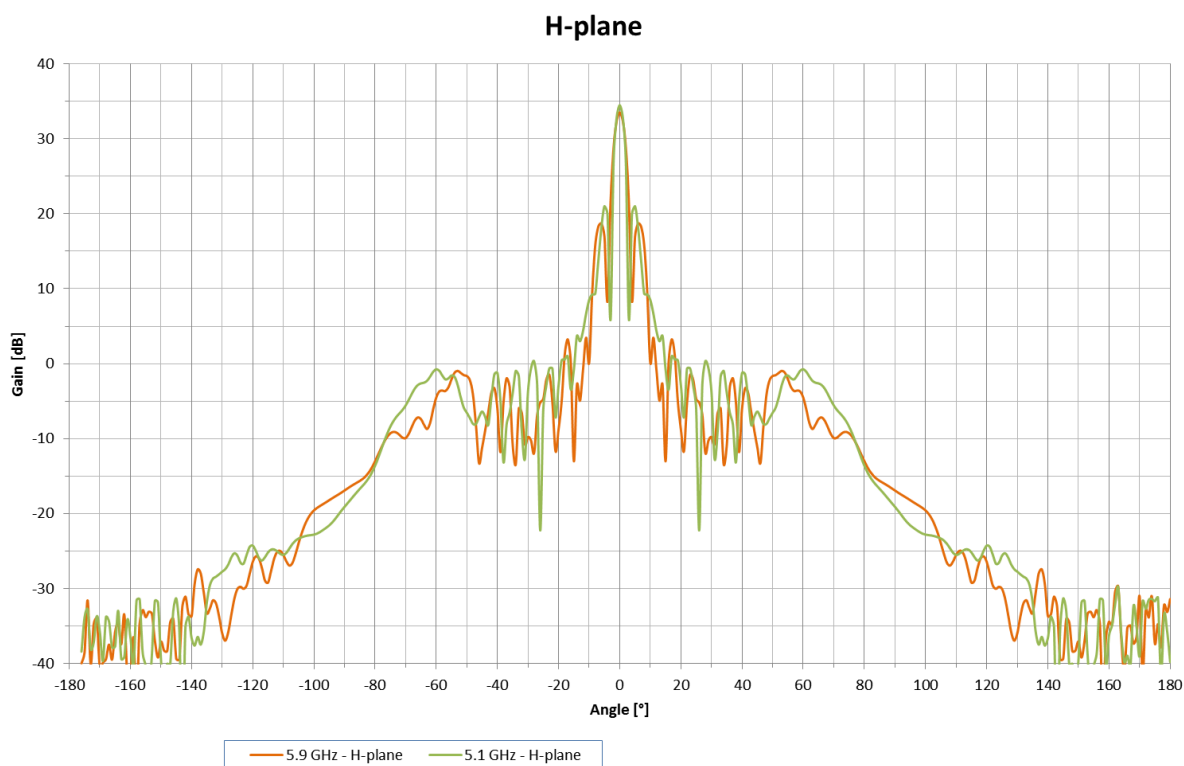
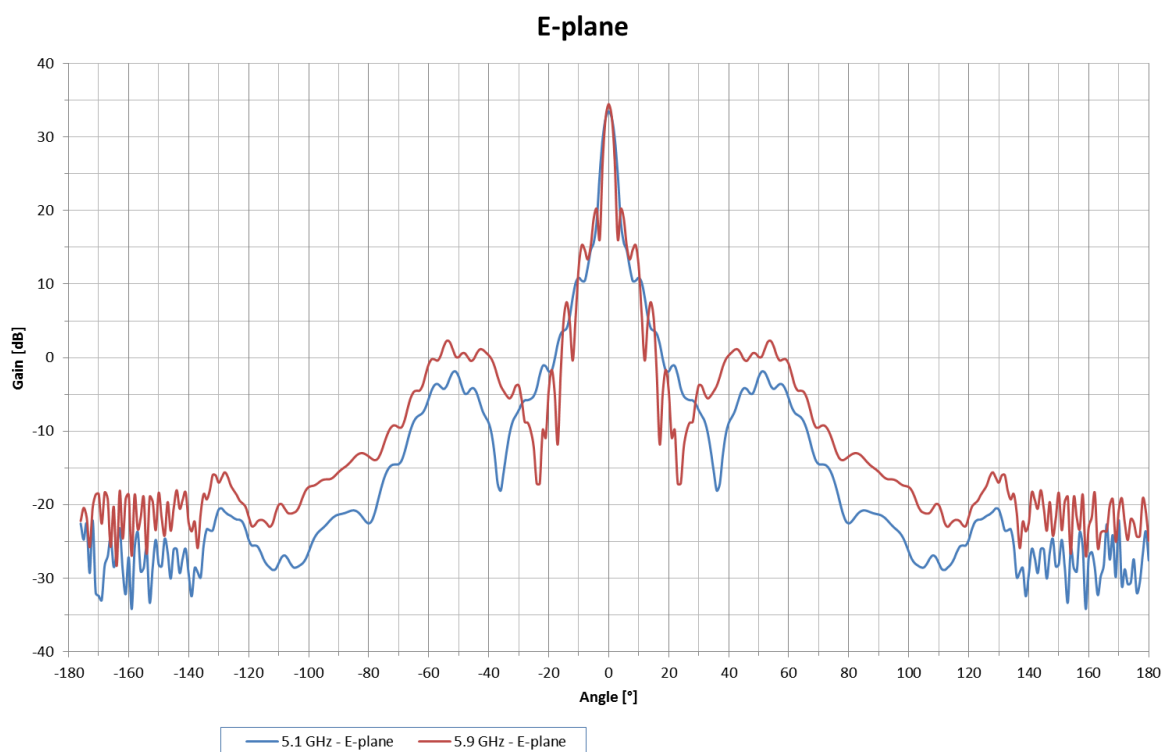
Frequency range	4.9 – 6.4 GHz
Gain	35 ± 1 dBi
VSWR <small>5.1 – 5.9 GHz</small>	≤ 1.4
Beamwidth <small>-3 dB</small>	3.1°
Port to port isolation <small>5.1 – 5.9 GHz</small>	26 dB
Front to Back ratio	≥ 53 dB
Polarization	Linear, vertical/horizontal or 45°

Mechanical parameters:

Parabola	Ø 1200 mm, Aluminium alloy
Radome	UV steady plastic ABS
Type of connector	N-female, R-SMA
Installation for mast	Ø 80 - 120 mm Ø 60 - 80 mm <small>with adjustable wind bracing set</small>
Operating wind load	110 km/h (68 mph) <small>without wind bracing set</small> 140 km/h (87 mph) <small>with wind bracing set</small>
Survival wind load	210 km/h (131 mph)
Weight of antenna	38.7 kg (85.3 lbs.)
of holder	14.9 kg (32.9 lbs.)
Shipping dimensions – 1pc	1310 x 740 x 1440 mm/70.3 kg (155 lbs.)
Shipping dimensions – 2pcs	1310 x 1100 x 1440 mm/109 kg (240 lbs.)

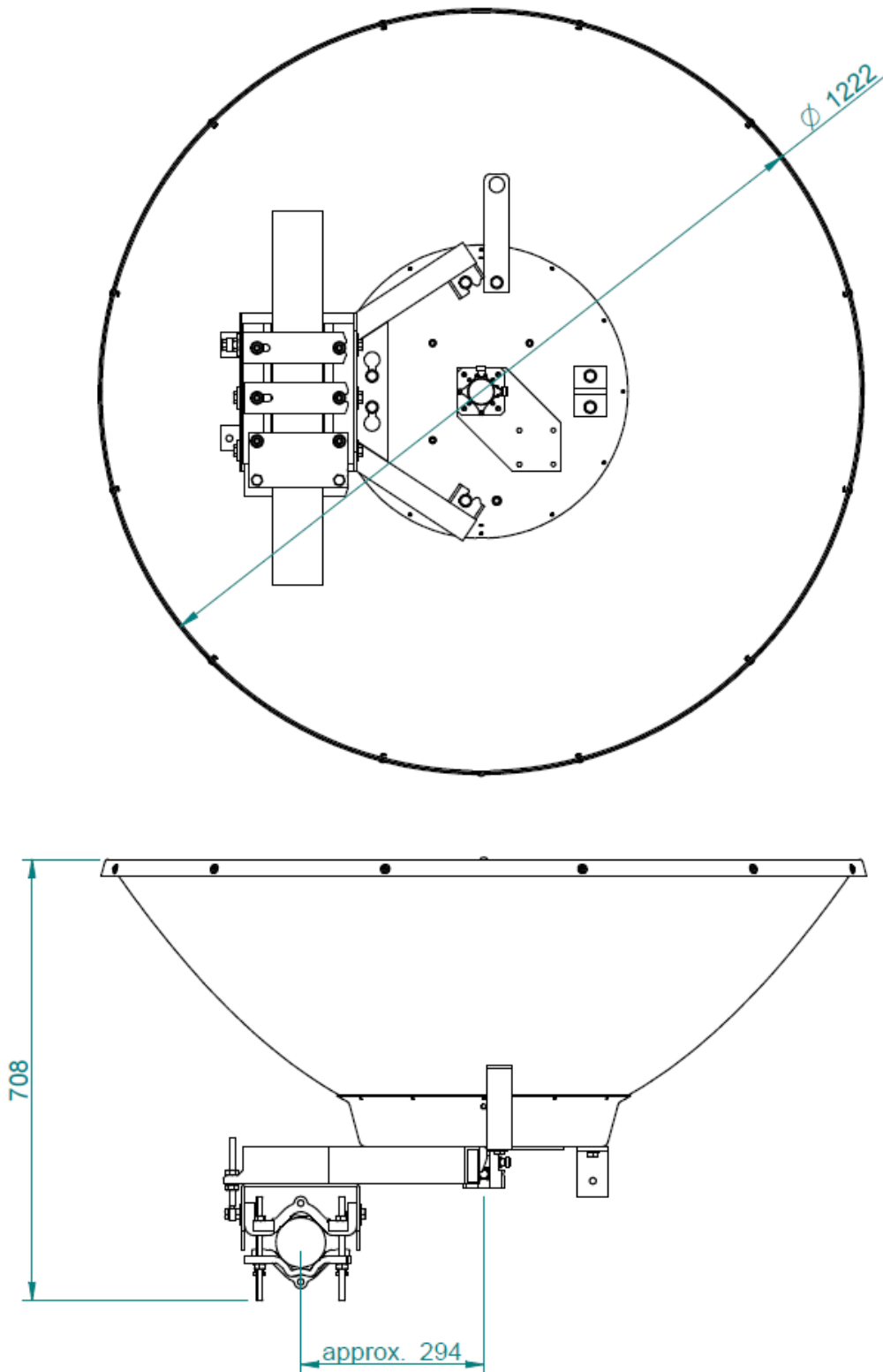
Parabolic antenna JRC-35DD MIMO Precision

Simulation of radiation pattern:



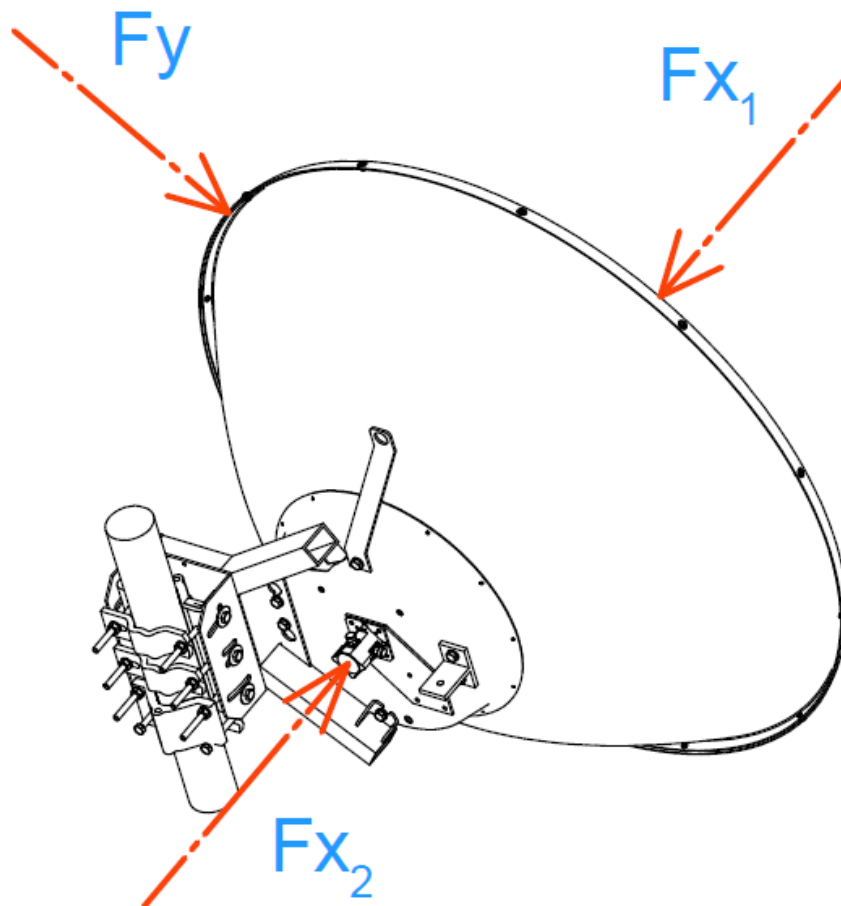
Parabolic antenna JRC-35DD MIMO Precision

Outline:



Parabolic antenna JRC-35DD MIMO Precision

Wind loading:



Wind Loading at 250 km/h (125 mph)		
Direction	Force [N]	Force [lbf]
Fx1	2696	606
Fx2	2186	4914
Fy	247	54.1